



Cat[®] Snow Blowers

SKID STEER LOADERS

MULTI TERRAIN LOADERS

COMPACT TRACK LOADERS

COMPACT WHEEL LOADERS

Cat[®] snow blowers are designed for removing snow from streets, parking lots, driveways and sidewalks, making them ideal for winter cleanup and maintenance applications.

Features:

Two-stage design uses auger and impeller

- Two-stage design uses auger and impeller to move a greater capacity of snow quickly and efficiently. Also, a reversible auger and impeller allows operator to expel obstructions without exiting the machine.

High strength auger flighting

- High strength auger flighting prevents bending and damage during operation.

Fan style impeller

- Fan style impeller provides smooth operation and continuous flow of material in a variety of snow conditions.

Hydraulically controlled chute, auger, impeller and deflector

- Chute, auger, impeller and deflector provide easy adjustment, long life and less maintenance.

Machine joysticks control chute and deflector

- There are no additional wires or hardware to connect to allow complete control with plug-n-play simplicity.

270° chute rotation

- Rotation permits snow discharge to front or sides of machine preventing snow blow back on operator.

Rugged access step and grab handle

- Wide steps with grating and large profile serrations provide better boot traction.
- Chute mounted grab handle allows stability when entering and exiting machine.

Non-binding rotating discharge chute

- Non-binding rotating discharge chute gears to prevent binding during operation.
- Optional non-metallic liner helps prevent plugging and freeze ups.

Offset chute

- Offset chute provides better visibility and full range of motion on compact wheel loader machines.

Adjustable skid shoes

- Adjustable skid shoes allow for height adjustment of cutting edge to suit job needs.

Bolt-on replaceable reversible cutting edge

- Bolt-on replaceable reversible cutting edge extends snow blower attachment life and makes replacement simple.

Optional performance package

- Non-metallic chute liner prevents snow buildup from inside chute.
- Side drift cutters aid in pushing through high, dense snow.
- Impeller ingestion plate limits amount of snow thrown out before entering chute.
- Chute cover plate keeps snow from falling out of chute back onto the blower.

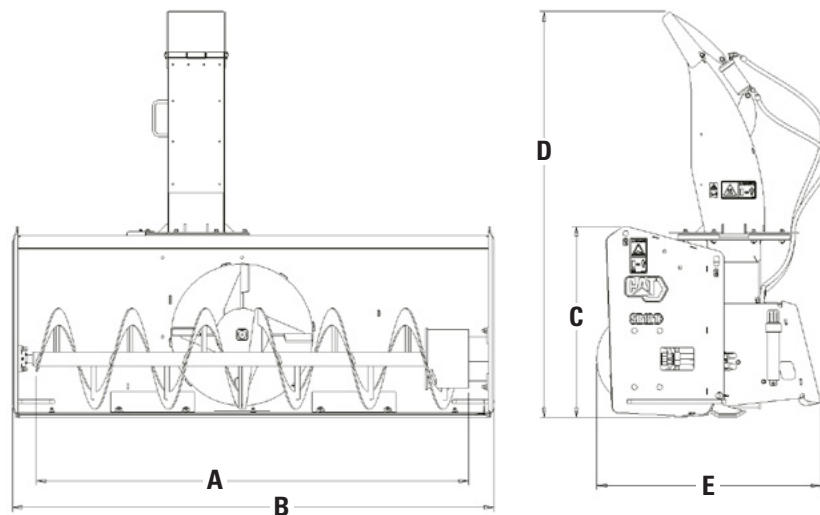
Cat® Snow Blowers

Compatibility

Model	Machines
SR115	226D/D3, 232D/D3, 236D/D3, 239D/D3, 242D/D3, 246D/D3, 249D/D3, 257D/D3, 259D/D3, 262D/D3, 272D2/D3, 279D/D3, 289D/D3, 299D2/D3, 906K/M, 907K/M, 908K/M
SR118	226D/D3, 232D/D3, 236D/D3, 239D/D3, 242D/D3, 246D/D3, 249D/D3, 257D/D3, 259D/D3, 262D/D3, 272D2/D3, 279D/D3, 289D/D3, 299D2/D3, 906K/M, 907K/M, 908K/M
SR121	226D/D3, 232D/D3, 236D/D3, 239D/D3, 242D/D3, 246D/D3, 249D/D3, 257D/D3, 259D/D3, 262D/D3, 272D2/D3, 279D/D3, 289D/D3, 299D2/D3, 906K/M, 907K/M, 908K/M
SR318*	226D/D3, 232D/D3, 236D/D3, 239D/D3, 242D/D3, 246D/D3, 249D/D3, 257D/D3, 259D/D3, 262D/D3, 272D2/D3, 279D/D3, 289D/D3, 299D2/D3, 906K/M, 907K/M, 908K/M
SR321*	226D/D3, 232D/D3, 236D/D3, 239D/D3, 242D/D3, 246D/D3, 249D/D3, 257D/D3, 259D/D3, 262D/D3, 272D2/D3, 279D/D3, 289D/D3, 299D2/D3, 906K/M, 907K/M, 908K/M

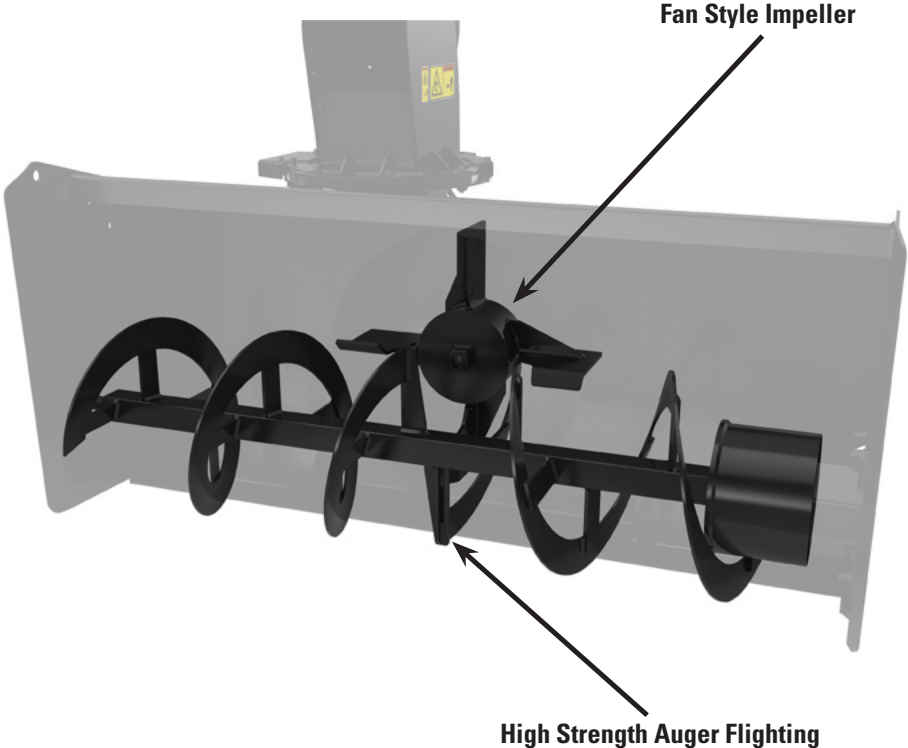
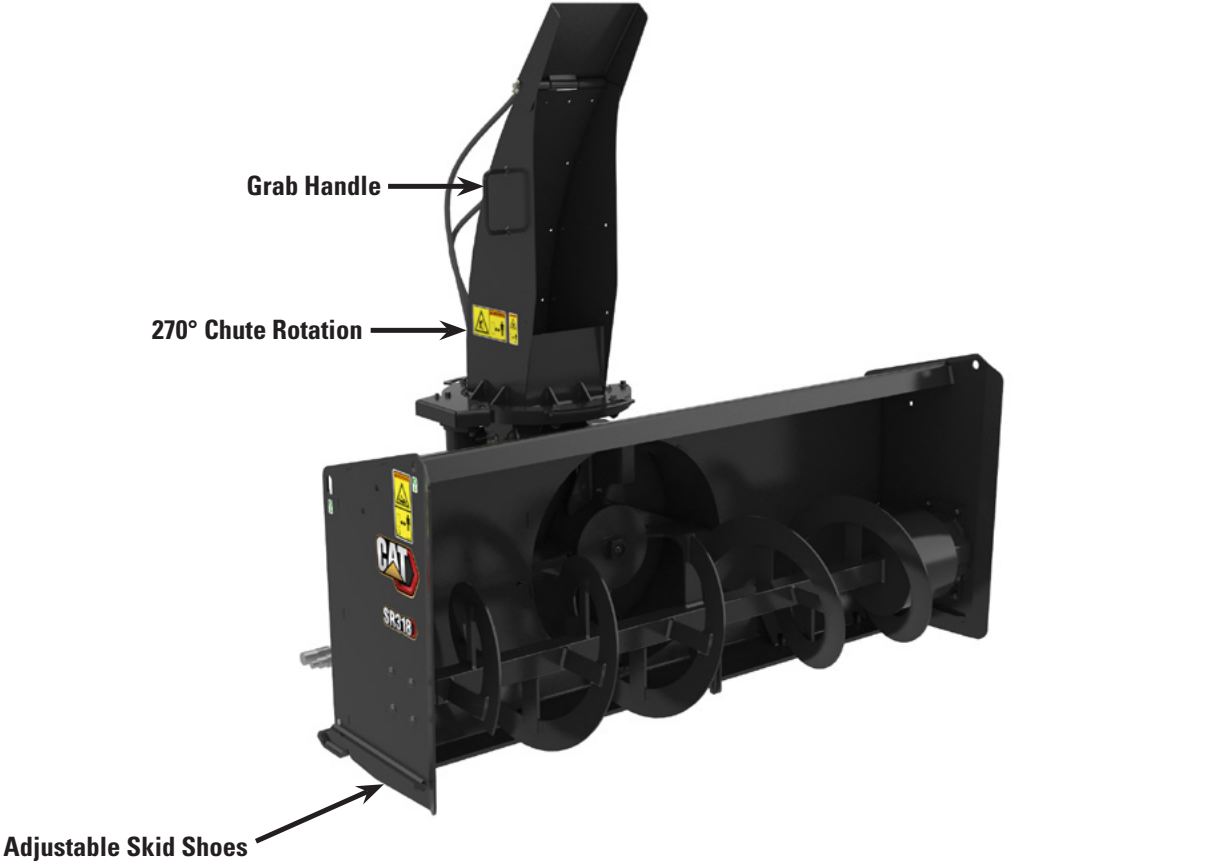
* Requires high flow and high flow XPS option on machine. Operates in high flow XPS on XHP/XE machine.

Specifications



			SR115		SR118		SR121		SR318		SR321	
A Intake width	mm	(in)	1290	(51)	1614	(63.5)	1942	(76.5)	1614	(63.5)	1942	(76.5)
B Overall width	mm	(in)	1572	(62)	1877	(73.9)	2181	(85.9)	1877	(73.9)	2181	(85.9)
C Cutting height	mm	(in)	867	(34.1)	867	(34.1)	867	(34.1)	867	(34.1)	867	(34.1)
D Overall height	mm	(in)	1843	(72.6)	1843	(72.6)	1843	(72.6)	1843	(72.6)	1843	(72.6)
E Overall length	mm	(in)	951	(37.4)	951	(37.4)	951	(37.4)	951	(37.4)	951	(37.4)
Weight	kg	(lb)	424	(932)	433	(952)	442	(972)	452	(995)	461	(1,015)
Maximum throw	m	(ft)	12.2	(40)	12.2	(40)	12.2	(40)	12.2	(40)	12.2	(40)
Auger diameter	mm	(in)	457	(18)	457	(18)	457	(18)	457	(18)	457	(18)
Impeller diameter	mm	(in)	635	(25)	635	(25)	635	(25)	635	(25)	635	(25)
Impeller width	mm	(in)	222	(8.7)	222	(8.7)	222	(8.7)	222	(8.7)	222	(8.7)
Chute rotation			270°		270°		270°		270°		270°	
Required hydraulic flow	L/min	(gpm)	80	(22)	80	(22)	80	(22)	125	(33)	125	(33)
Hydraulic pressure	bar	(psi)	230	(3,300)	230	(3,300)	230	(3,300)	280	(4,061)	280	(4,061)

Theoretical values calculated at 100% efficiency.



Cat® Snow Blowers

For more complete information on Cat products, dealer services, and industry solutions, visit us on the web at www.cat.com

© 2019 Caterpillar
All rights reserved

Materials and specifications are subject to change without notice. Featured machines in photos may include additional equipment. See your Cat dealer for available options.

CAT, CATERPILLAR, LET'S DO THE WORK, their respective logos, "Caterpillar Yellow," the "Power Edge" and Cat "Modern Hex" trade dress as well as corporate and product identity used herein, are trademarks of Caterpillar and may not be used without permission.

AEHQ8232 (10-2019)
Replaces AEHQ5845-05

