



# Cat<sup>®</sup>

## B Series Cold Planers

SKID STEER LOADERS  
MULTI TERRAIN LOADERS  
COMPACT TRACK LOADERS  
COMPACT WHEEL LOADERS

Cat<sup>®</sup> Cold Planers are designed for small paving jobs in residential and commercial applications, and are primarily used to economically restore asphalt and concrete surfaces. They are ideal for milling imperfections prior to resurfacing, removing deteriorated pavement, removing traffic lane stripes and jobs where the use of dedicated planers is limited.

### Features:

#### Self-leveling design

- Self-leveling design automatically levels itself when placed on the ground for consistent depth control without operator adjustments and excellent spoil retention.

#### Two wear resistant skid plates

- Two wear resistant skid plates remain parallel to the ground for optimum stability.

#### Hydraulic side-shift

- Hydraulic side-shift permits close planing to curbs, walls and other obstructions.

#### Independent left/right depth control

- Independent left/right depth control allows maximum drum depths to be adjusted independently on each skid. The gauges are easily viewable from the cab. Independent depth control is mechanical on the PC104B and PC205B models; hydraulic independent depth control is standard on the PC305B-PC412B models.

#### Max Pro Pressure Gauge

- Max Pro Pressure Gauge provides operator feedback to adjust speed for maximum productivity in changing material loads. Gauge displays planer performance in real-time conditions and is visible from the cab. Standard on XHP models.

#### Float, spring tilt and hydraulic tilt

- Float enables planers to follow the contour of the surface. Float is activated by a knob and is only available on high flow and XHP planers. Spring tilt and hydraulic tilt enable planers to oscillate for angled cuts. Tilt is hydraulically controlled on high flow models and spring controlled on standard flow planers.

#### Direct drive system

- Direct drive system on the standard flow models features a variable speed, uni-directional, gerotor style hydraulic motor. Direct drive system on high flow and XHP models features a hydraulic radial piston motor to ensure maximum cutting rate and drum torque for optimal production performance and efficiency.

#### Optional concrete bits, extreme life bits and water sprinkler kits

- Optional concrete bits, extreme life bits and water sprinkler kits are available for all models.

#### Cat XT<sup>™</sup> and medium pressure hose, couplings and O-ring face seals

- Cat XT and medium pressure hose, couplings and O-ring face seals provide superior, leak-free performance and reliability. All hoses are wrapped with nylon woven cordura sleeving for added operator protection. Hydraulic quick disconnects enable fast tool changes.

#### Quick coupler

- Rugged, opposing edge design holds the work tool securely and allows the operator to quickly change from one high performance Cat Work Tool to another.

# Cat® B Series Cold Planers

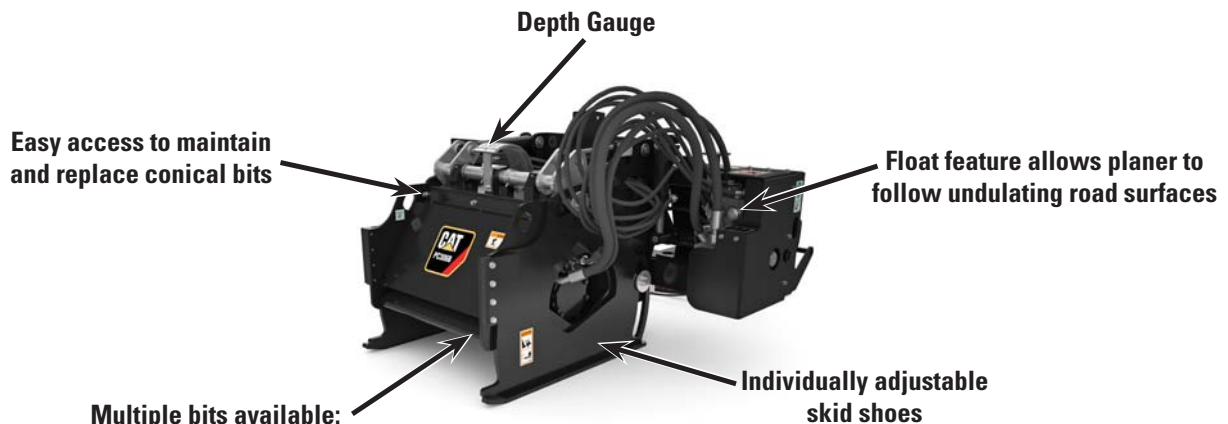
## Compatibility

Model	Machines
PC104B	216B3, 226D, 232D, 236D, 239D, 242D, 246D, 249D, 257D, 259D, 262D, 272D2, 272D2 XHP, 277D, 279D, 287D, 289D, 297D2, 297D2 XHP, 299D2, 299D2 XHP, 906K, 907K, 908K, 906M, 907M, 908M
PC205B*	216B3, 226D, 232D, 236D, 239D, 242D, 246D, 249D, 257D, 259D, 262D, 272D2, 272D2 XHP, 277D, 279D, 287D, 289D, 297D2, 297D2 XHP, 299D2, 299D2 XHP, 906K, 907K, 908K, 906M, 907M, 908M
PC305B#	226D, 232D, 236D, 239D, 242D, 246D, 249D, 257D, 259D, 262D, 272D2, 272D2 XHP, 277D, 279D, 287D, 289D, 297D2, 297D2 XHP, 299D2, 299D2 XHP, 906K, 907K, 908K, 906M, 907M, 908M
PC306B#	226D, 232D, 236D, 239D, 242D, 246D, 249D, 257D, 259D, 262D, 272D2, 272D2 XHP, 277D, 279D, 287D, 289D, 297D2, 297D2 XHP, 299D2, 299D2 XHP, 906K, 907K, 908K, 906M, 907M, 908M
PC306B XD#	272D2, 272D2 XHP, 277D, 279D, 287D, 289D, 297D2, 297D2 XHP, 299D2, 299D2 XHP, 906K, 907K, 908K, 906M, 907M, 908M
PC310B#	246D, 262D, 272D2, 272D2 XHP, 277D, 279D, 287D, 289D, 297D2, 297D2 XHP, 299D2, 299D2 XHP, 906K, 907K, 908K, 906M, 907M, 908M
PC310B XD#	287D, 289D, 297D2, 297D2 XHP, 299D2, 299D2 XHP, 906K, 907K, 908K, 906M, 907M, 908M
PC408B	272D2 XHP, 297D2 XHP, 299D2 XHP
PC412B	272D2 XHP, 297D2 XHP, 299D2 XHP

\* Requires high flow or high flow XPS option on machine. Operates in high flow XPS on XHP machines.

# Requires high flow XPS option on machine. Operates in high flow XPS on XHP machines. Requires high flow option on Compact Wheel Loaders.

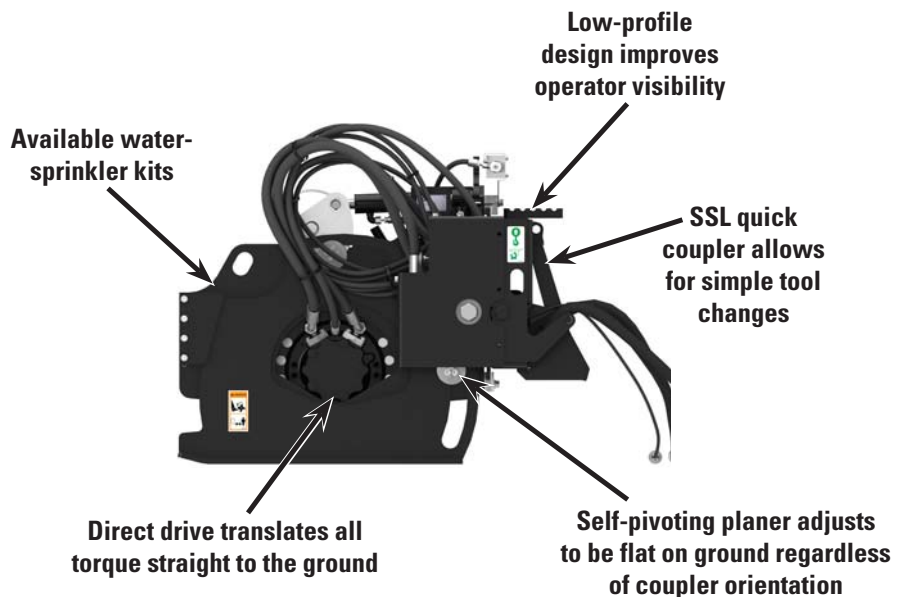
Machine model availability and attachment vary by region. Please contact your local dealer for availability.



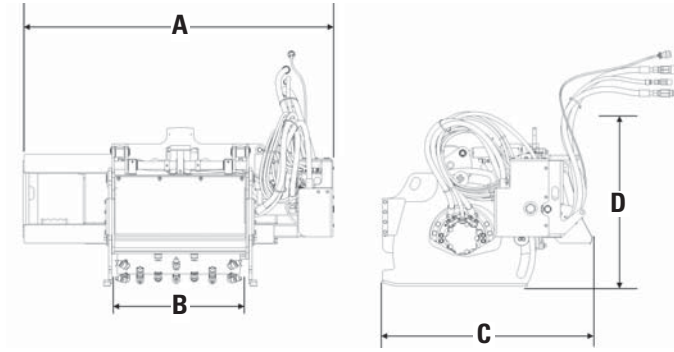
- Multiple bits available:**
- All Purpose – Standard
  - Concrete
  - Heavy Duty Concrete
  - Heavy Duty Asphalt



**Max-pro gauge provides operator feedback to maximize productivity**



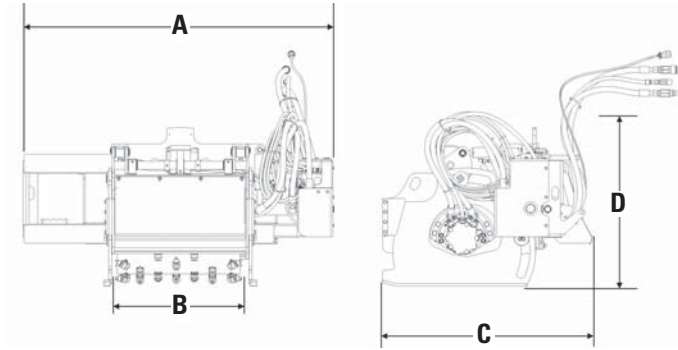
## Specifications



			<b>PC104B</b>	<b>PC205B</b>	<b>PC305B</b>	<b>PC306B</b>	<b>PC306B XD</b>	
<b>A</b> Overall width	mm (in)		1730 (68)	1730 (68)	1858 (73)	1858 (73)	1858 (73)	
<b>B</b> Maximum drum width	mm (in)		350 (14)	450 (18)	450 (18)	600 (24)	600 (24)	
<b>C</b> Length	mm (in)		1120 (44)	1184 (47)	1240 (49)	1240 (49)	1580 (62)	
<b>D</b> Overall height	mm (in)		950 (37)	1080 (43)	1100 (43)	1100 (43)	1088 (43)	
Weight	kg (lb)		670 (1,474)	730 (1,606)	860 (1,896)	935 (2,061)	1410 (3,109)	
Optimum hydraulic flow	L/min (gpm)		60-80 (16-21)	80-115 (21-31)	100-125 (26-33)	100-125 (26-33)	125 (33)	
Optimum hydraulic pressure	bar (psi)		230 (3,330)	230 (3,330)	230-280 (3,330-4,000)	230-280 (3,330-4,000)	280 (4,000)	
Drum torque/max. pressure	N·m (lb-ft)		1350 (996)	2047 (1,510)	3470 (2,558)	3470 (2,558)	4664 (3,440)	
Drum speed @ max. flow	rpm		150-200	142-205	160	160	119	
Conical bits			42/350 mm (13.8 in) drum	48/450 mm (18 in) drum	48/450 mm (18 in) drum	60/600 mm (24 in) drum	48/600 mm (24 in) drum	
Standard bit type			All purpose	All purpose	All purpose	All purpose	All purpose	
Maximum depth of cut	mm (in)		150 (6)	150 (6)	170 (7)	170 (7)	250 (10)	
Optional drum widths/depths	mm (in)		400/150 (16/6)	80/200 (3/8) 152/200 (6/8) 203/200 (8/8) 305/200 (12/8) 350/200 (14/8) 400/200 (16/8) 450/150 (18/6)	80/200 (3/8) 152/200 (6/8) 203/200 (8/8) 305/200 (12/8) 350/200 (14/8)	80/200 (3/8) 152/200 (6/8) 203/200 (8/8) 305/200 (12/8) 350/200 (14/8) 400/200 (16/8) 450/150 (18/6) 600/180 (24/7)	—	—
Tilt angle range			±8.5°	±8.5°	±8°	±8°	±5.5°	
Side-shift travel	mm (in)		650 (26)	650 (26)	750 (30)	750 (30)	750 (30)	

# Cat® B Series Cold Planers

## Specifications



			PC310B		PC310B XD		PC408B		PC412B	
<b>A</b> Overall width	mm	(in)	1858	(73)	1858	(73)	1858	(73)	1858	(73)
<b>B</b> Maximum drum width	mm	(in)	1000	(39)	1000	(39)	750	(30)	1200	(47)
<b>C</b> Length	mm	(in)	1140	(45)	1500	(59)	1270	(50)	1140	(45)
<b>D</b> Overall height	mm	(in)	965	(38)	1175	(46)	1100	(43)	965	(38)
Weight	kg	(lb)	1050	(2,310)	1760	(3,880)	1050	(2,315)	1170	(2,580)
Optimum hydraulic flow	L/min	(gpm)	125	(33)	125	(33)	150	(40)	150	(40)
Optimum hydraulic pressure	bar	(psi)	280		280		280		280	
			(4,000)		(4,000)		(4,000)		(4,000)	
Drum torque/max. pressure	N·m	(lb·ft)	3350	(2,470)	4985	(3,675)	3724	(2,746)	4108	(3,030)
Drum speed @ max. flow	rpm		166		111		143		161	
Conical bits			78/1000 mm (40 in) drum		66/1000 mm (40 in) drum		60/750 mm (30 in) drum		90/1200 mm (47 in) drum	
Standard bit type			All purpose		All purpose		All purpose		All purpose	
Maximum depth of cut	mm	(in)	130	(5)	220	(9)	170	(7)	130	(5)
Optional drum widths/depths	mm	(in)	—	—	—	—	80/200	(3/8)	—	—
							152/200	(6/8)		
							203/200	(8/8)		
							305/200	(12/8)		
							350/200	(14/8)		
							400/200	(16/8)		
							450/200	(18/8)		
							610/178	(24/7)		
Tilt angle range			±6.5°		±5.5°		±6.5°		±6.5°	
Side-shift travel	mm	(in)	650	(26)	650	(26)	650	(26)	550	(22)

For more complete information on Cat products, dealer services, and industry solutions, visit us on the web at [www.cat.com](http://www.cat.com)

© 2016 Caterpillar  
All rights reserved

Materials and specifications are subject to change without notice. Featured machines in photos may include additional equipment. See your Cat dealer for available options.

CAT, CATERPILLAR, SAFETY.CAT.COM, their respective logos, "Caterpillar Yellow" and the "Power Edge" trade dress, as well as corporate and product identity used herein, are trademarks of Caterpillar and may not be used without permission.

AEHQ6789-03 (03-16)  
Replaces AEHQ6789-02

