



Cat[®] C Series Mulchers

SKID STEER LOADERS

MULTI TERRAIN LOADERS

COMPACT TRACK LOADERS

COMPACT WHEEL LOADERS

Cat[®] Mulchers are designed for high-performance cutting, and mulching vegetation and undergrowth from typical wooded terrain. The hydraulic mulcher reduces saplings, shrubs and trees into mulched material, making it ideal for environmental maintenance, such as creating fire lanes. Other applications include: reclaiming untilled land, removing foliage from building construction sites, and shredding pruned material and organic waste for biomass production.

Features:

Dual speed, axial piston hydraulic motor

- Dual speed, axial piston motor provides smooth, efficient performance while delivering optimal torque under changing material loads.

Rugged mulching head

- Rugged mulching head processes trees up to 200 mm (8 in) diameter for effective land clearing applications.

Single bolt retention, fixed tooth balanced rotor

- Fixed tooth balanced rotor provides excellent operating efficiency at high speed. Single bolt retention provides quick tooth replacement.

Adjustable – pin style push frame

- Standard adjustable push frame allows for control of trees for optimal cutting and efficiency. The low profile design improves operator visibility and the pin-style segments provide the opportunity to control which section of teeth are cutting, improving tooth life.

Color-coded pressure gauge

- Color-coded pressure gauge is standard equipment and provides operator feedback in order to maximize productivity. With green, yellow, and red regions the operator has indication of the load being applied to the mulcher and if adjustments can be made to maximize productivity in changing material loads.

Hydraulically operated front hood

- Hydraulically operated front hood is standard and the linkage is enclosed in the frame of the mulcher on High Flow models. The quick to open and close door allows for finer finished material to be produced from cutting all types of vegetation.

Rear chain guard protection

- Rear chain guard protection reduces spread of material.

Cat XT[™]-3 ES hose, couplings and O-ring face seals

- Cat XT-3 ES hose, couplings and O-ring face seals provide superior, leak-free performance and reliability. All hoses are wrapped with nylon woven cordura sleeving for added operator protection. Hydraulic quick disconnects enable fast tool changes.

Quick coupler

- Rugged, opposing edge design holds the work tool securely and allows the operator to quickly change from one high performance Cat Work Tool to another.

Dual inboard counter knives

- Serrated strips continue to cut mulched material when circulating through drum producing finer mulch with fewer passes.

Lockable service panel

- Hinged and lockable service panel allows easy access to hoses and tool OMM. Lockable with your Cat key the service panel allows easy access to drive train components during service and inspection.

Multiple teeth selections

- Select from Standard Carbide, Rock Resistant, Chisel, and Side Cutter options to configure the C Series Mulcher to any underfoot or vegetation condition.



Cat® C Series Mulchers

Compatibility

| Model | Machines |
|---------------------------|--|
| HM112C[^] | 216B3, 226D, 232D, 239D, 249D, 903C, 906M, 907M, 908M |
| HM115C[^] | 236D, 242D, 246D, 257D, 259D, 262D, 272D2, 272D2 XHP, 277D, 279D, 287D, 289D, 297D2, 297D2 XHP, 299D2, 299D2 XHP, 903C, 906M, 907M, 908M |
| HM215C[*] | 226D, 232D, 236D, 239D, 242D, 249D, 257D, 259D, 906M, 907M, 908M |
| HM315C⁺ | 246D, 262D, 272D2, 272D2 XHP, 277D, 279D, 287D, 289D, 297D2, 297D2 XHP, 299D2, 299D2 XHP |
| HM415C | 272D2 XHP, 297D2 XHP, 299D2 XHP |
| HM418C | 272D2 XHP, 297D2 XHP, 299D2 XHP |

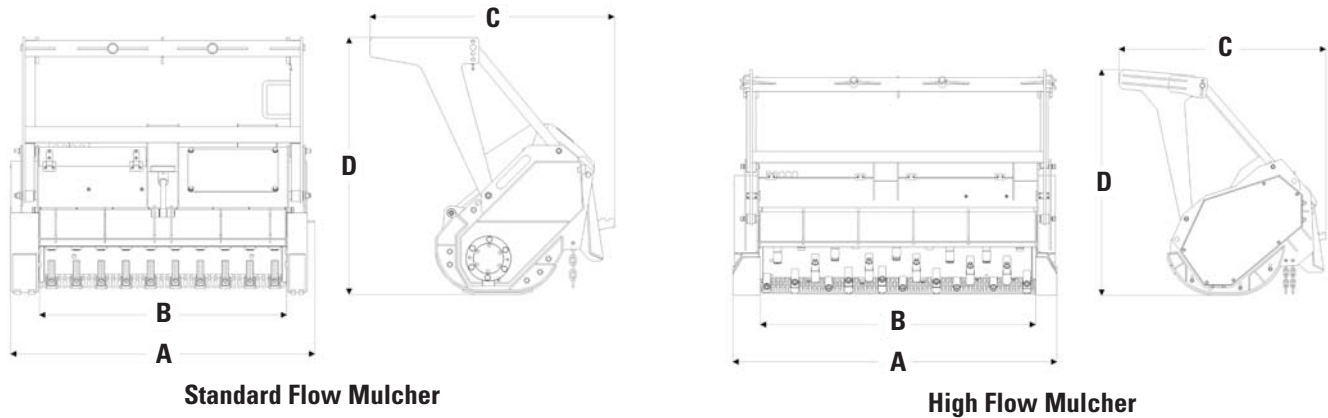
* Requires machine to have HF standard pressure option.

+ Requires machine to be equipped with HF XPS option.

[^] Operates in standard flow mode.

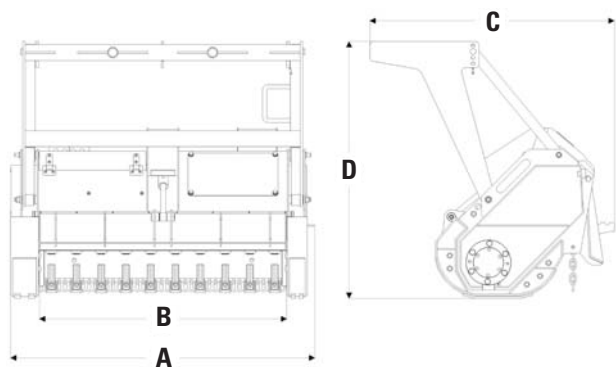
Debris Barrier package recommended.

Specifications

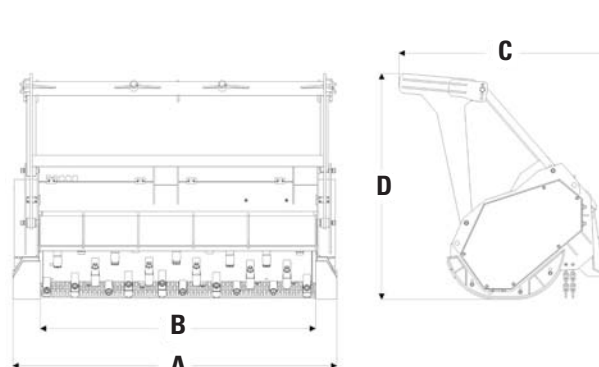


| | | | HM112C | | HM115C | |
|----------------------------|-------------|--|-------------------------|---------|-------------------------|---------|
| A Overall width | mm (in) | | 1518 | (60) | 1758 | (69) |
| B Working width | mm (in) | | 1240 | (49) | 1480 | (58) |
| C Length | mm (in) | | 1219 | (48) | 1219 | (48) |
| D Overall height | mm (in) | | 1281 | (50) | 1281 | (50) |
| Weight | kg (lb) | | 763 | (1,682) | 818 | (1,803) |
| Drive method | | | V-belt drive | | V-belt drive | |
| Motor | | | Axial piston dual speed | | Axial piston dual speed | |
| Optimum hydraulic flow | L/min (gpm) | | 60-69 | (16-18) | 76-87 | (20-23) |
| Optimum hydraulic pressure | bar (psi) | | 230 | (3,330) | 230 | (3,330) |
| Drum speed range | rpm | | 2,670-3,070 | | 2,570-2,940 | |
| Fixed teeth per drum | | | 30 | | 36 | |
| Maximum cutting diameter | mm (in) | | 200 | (8) | 200 | (8) |

Specifications



Standard Flow Mulcher



High Flow Mulcher

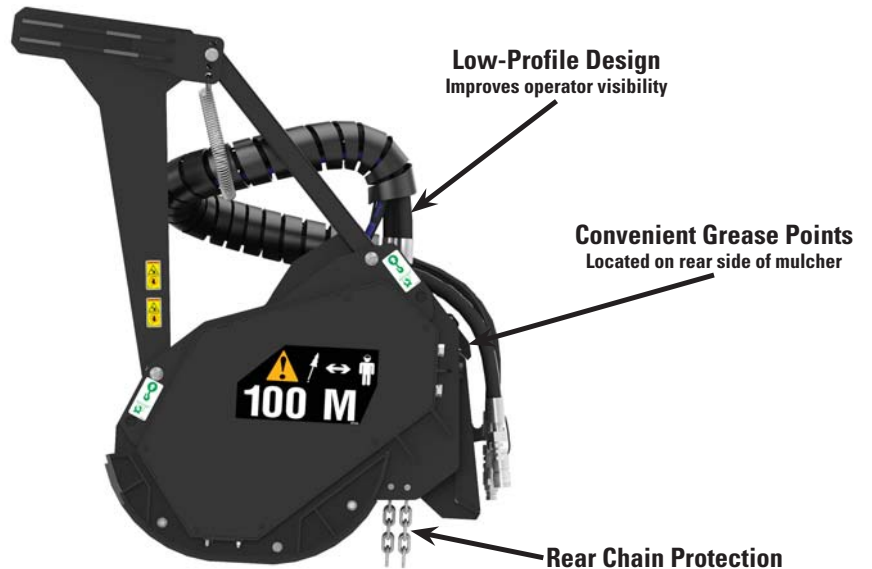
| | | | HM215C | | HM315C | |
|----------------------------|-------------|--|-------------------------|---------|-------------------------|---------|
| A Overall width | mm (in) | | 1758 | (69) | 1882 | (74) |
| B Working width | mm (in) | | 1480 | (58) | 1582 | (62) |
| C Length | mm (in) | | 1219 | (48) | 1354 | (53) |
| D Overall height | mm (in) | | 1281 | (50) | 1480 | (58) |
| Weight | kg (lb) | | 818 | (1,803) | 1342 | (2,959) |
| Drive method | | | V-belt drive | | Polychain belt | |
| Motor | | | Axial piston dual speed | | Axial piston dual speed | |
| Optimum hydraulic flow | L/min (gpm) | | 96-117 | (25-31) | 120-125 | (31-33) |
| Optimum hydraulic pressure | bar (psi) | | 230 | (3,330) | 280 | (4,060) |
| Drum speed range | rpm | | 2,480-3,020 | | 2,140-2,230 | |
| Fixed teeth per drum | | | 36 | | 34 | |
| Maximum cutting diameter | mm (in) | | 200 | (8) | 200 | (8) |

| | | | HM415C | | HM418C | |
|----------------------------|-------------|--|-------------------------|---------|-------------------------|---------|
| A Overall width | mm (in) | | 1882 | (74) | 2122 | (84) |
| B Working width | mm (in) | | 1582 | (62) | 1822 | (72) |
| C Length | mm (in) | | 1354 | (53) | 1354 | (53) |
| D Overall height | mm (in) | | 1480 | (58) | 1480 | (58) |
| Weight | kg (lb) | | 1342 | (2,959) | 1450 | (3,197) |
| Drive method | | | Polychain belt | | Polychain belt | |
| Motor | | | Axial piston dual speed | | Axial piston dual speed | |
| Optimum hydraulic flow | L/min (gpm) | | 150-155 | (40-41) | 150-155 | (40-41) |
| Optimum hydraulic pressure | bar (psi) | | 280 | (4,060) | 280 | (4,060) |
| Drum speed range | rpm | | 2,140-2,210 | | 2,140-2,210 | |
| Fixed teeth per drum | | | 34 | | 38 | |
| Maximum cutting diameter | mm (in) | | 200 | (8) | 200 | (8) |

Cat® C Series Mulchers



Color-Coded Pressure Gauge
Improves operator feedback



For more complete information on Cat products, dealer services, and industry solutions, visit us on the web at www.cat.com

AEHQ7688 (12-2015)

© 2015 Caterpillar
All rights reserved

Materials and specifications are subject to change without notice. Featured machines in photos may include additional equipment. See your Cat dealer for available options.

CAT, CATERPILLAR, SAFETY.CAT.COM, their respective logos, "Caterpillar Yellow" and the "Power Edge" trade dress, as well as corporate and product identity used herein, are trademarks of Caterpillar and may not be used without permission.

